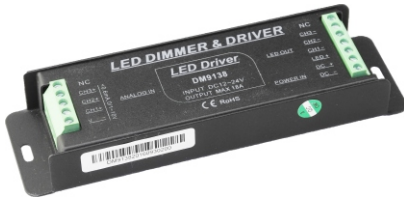


0/1-10V

Dimming Driver Series



CE RoHS

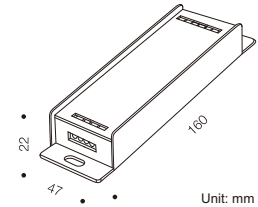
Specifications

Model:	DM9138		
Input:	DC12-24V	MAX Power:	216W(12V)/432W(24V)
Out put:	Max 18A	Frequency:	1.8KHz
Control channels:	3CH	Signal Input:	0/1-10V
Protection Grade:	IP20	The light gray level:	256
Gross Weight:	220g	Work Temp.:	-20°C~70°C

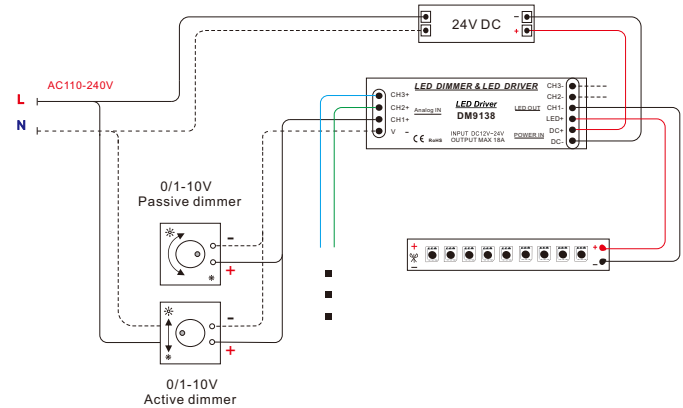
Basic Features

- 3 channels constant voltage output dimming control, maximum driving ability of 18A.
- The PWM driver output, LED output smooth, no flicker.
- The analog voltage DC 1-10V dimming, dimming passive and active 1-10V universal with large scale control system. The modulated light from the structure.

Dimensions



Wiring Diagram



Suitable lamps and lanterns

